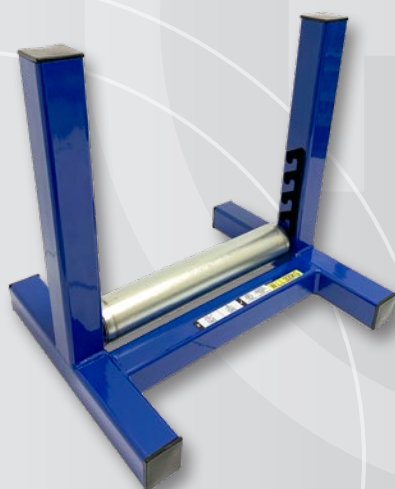




315 Adjustable Roller



400 Adjustable Roller



630 Adjustable Roller

PIPE ROLLERS

Adjustable Pipe Rollers

Ideal for use with auto and manual butt fusion machinery, the Adjustable Pipe Rollers are robust, designed in 3 pipe ranges and sold in pairs.



Adjustable Height

FEATURES

- 3 adjustable pipe rollers covering the range 63mm to 630mm
- Rigid construction
- All models sold as pairs
- Adjustable height setting
- Sealed Rollers Bearings in the PSROLL400 and PSROLL630 rollers
- PSROLL315 folds flat for more compact transportation

PIPE ROLLERS

Adjustable Pipe Rollers

Code	Description	Range (mm)	Weight per Roller (kg)	Extension Range (mm)	In Use Dimensions (HxWxD) (mm)
PSROLL315	315 Adjustable Roller Pair	63-315	4.3	75	170-245 x 400 x 335
PSROLL400	400 Adjustable Roller Pair	63-400	18	180	525 x 562 x 452
PSROLL630	630 Adjustable Roller Pair	315-630	52	600	995 x 890 x 750



315 Adjustable Roller



400 Adjustable Roller



630 Adjustable Roller

Fusion Equipment Limited

Smeckley Wood Close, Chesterfield Trading Estate,
Chesterfield, Derbyshire S41 9PZ, UK

T: +44 (0)1246 264400 | E: sales@fusionequipment.co.uk
fusionequipment.co.uk



**Fusion
Equipment**